



**MiniORION: All the power of a screw compressor in one cubic meter.**

**RELIABLE, COMPACT, SILENT**

MiniORION is the new oil-lubricated coaxial compressor with direct starter, the smallest of the entire NUAIR screw range.

The small size of the air-end/motor connection system allows the machine to maintain an extremely small footprint.

Furthermore, thanks to its extreme quietness, only 65 dB(A), it can be placed near any operating environment.

MiniORION is available in the floor mounted version or on a painted or galvanised 90-litre tank

Shock-resistant, thermoformed protective cover

Intake regulator

Oil filter

Air-end

Separator block

Oil separator tank

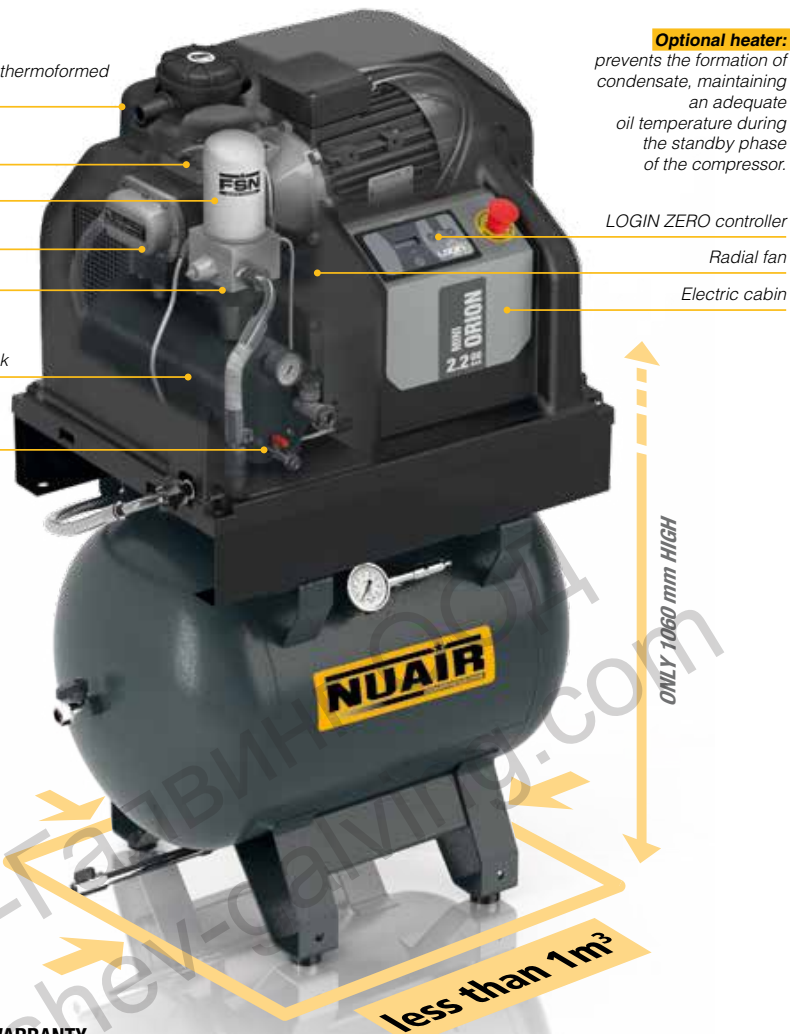
Oil drain

**Optional heater:**  
prevents the formation of condensate, maintaining an adequate oil temperature during the standby phase of the compressor.

LOGIN ZERO controller

Radial fan

Electric cabin



**LOGIN ZERO**

Multi-function controller with 5-digit LED display

**Measures and displays:**

- Compressor status (stand-by, idle, loaded, off).
- Operating temperature.
- Operating pressure.
- Total working hours and load hours.
- Remaining hours for maintenance.
- Alarm management (motor thermal overload, fan thermal overload, oil temperature values) with dedicated LED signalling.
- Auto-restart after power failure.
- Integrated digital phase sequence control.

**2-YEAR WARRANTY**  
on the controller  
and air-end

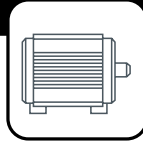




only 65 dB(A)



easy to transport



2.2 kW



8-10 Bar



continuous duty

### EFFICIENT AND COST-EFFECTIVE

MiniORION is designed for continuous operation in industrial applications. The coaxial transmission, with the air-end directly connected to the electric motor without any flexible coupling, ensures the best transmission efficiency. The three-phase versions are equipped with an IE3 energy efficiency class motor. The FS14 air-end ensures minimum pressure losses, providing considerable energy savings and low operating and maintenance costs.

### EASY TO TRANSPORT

MiniORION is handy and easy to move, thanks to the 2 sides handles (only floor mounted version) and the forklift or pallet truck pre-arrangement at the bottom of the tank.

### SIMPLIFIED MAINTENANCE

All internal components are easily accessible, making routine maintenance fast and simple to perform.

### PLUG&PLAY

MiniORION is ready for use: it is supplied already equipped with RotarECOFLUID mineral oil

Air filter

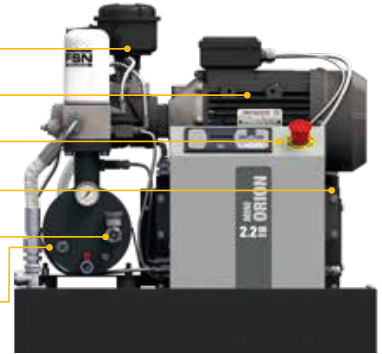
Electric motor

Emergency button

Heat exchanger

Oil level display

Heater arrangement (as optional)



## MiniORION

	Code	Air receiver	Power		Power supply		Air outflow rate			Max. pressure		Sound level	Connec-tion	Net weight	Net dimensions	Gross weight	Gross dimensions
		l	kW	HP	V/Ph/Hz	l/min.	m <sup>3</sup> /min.	c.f.m.	bar	p.s.i.	dB(A)	Ø	kg	L x W x H (mm)	kg	L x W x H (mm)	
<b>FLOOR MOUNTED</b>																	
MiniORION 2.2-08	V51PC72N1N017	-	2.2	3	400/3/50	292	0.29	10.3	8	116	65	1/2"	68	780x460x600	79	840x540x790	
MiniORION 2.2-08 M	V51PC60N1N017	-	2.2	3	230/1/50	292	0.29	10.3	8	116	65	1/2"	68	780x460x600	79	840x540x790	
MiniORION 2.2-10	V51PK72N1N017	-	2.2	3	400/3/50	261	0.26	9.2	10	145	65	1/2"	68	780x460x600	79	840x540x790	
MiniORION 2.2-10 M	V51PK60N1N017	-	2.2	3	230/1/50	261	0.26	9.2	10	145	65	1/2"	68	780x460x600	79	840x540x790	
<b>PAINTED TANK</b>																	
MiniORION 2.2-08-90	V72PC72N1N044	90	2.2	3	400/3/50	292	0.29	10.3	8	116	65	1/2"	104	730x460x1060	116	840x540x1340	
MiniORION 2.2-08-90 M	V72PC60N1N044	90	2.2	3	230/1/50	292	0.29	10.3	8	116	65	1/2"	104	730x460x1060	116	840x540x1340	
MiniORION 2.2-10-90	V72PK72N1N044	90	2.2	3	400/3/50	261	0.26	9.2	10	145	65	1/2"	104	730x460x1060	116	840x540x1340	
MiniORION 2.2-10-90 M	V72PK60N1N044	90	2.2	3	230/1/50	261	0.26	9.2	10	145	65	1/2"	104	730x460x1060	116	840x540x1340	
<b>GALVANIZED TANK</b>																	
MiniORION 2.2-08-90 Z	V72PC72N1NZ01	90	2.2	3	400/3/50	292	0.29	10.3	8	116	65	1/2"	104	730x460x1060	116	840x540x1340	
MiniORION 2.2-08-90 M Z	V72PC60N1NZ01	90	2.2	3	230/1/50	292	0.29	10.3	8	116	65	1/2"	104	730x460x1060	116	840x540x1340	
MiniORION 2.2-10-90 Z	V72PK72N1NZ01	90	2.2	3	400/3/50	261	0.26	9.2	10	145	65	1/2"	104	730x460x1060	116	840x540x1340	
MiniORION 2.2-10-90 M Z	V72PK60N1NZ01	90	2.2	3	230/1/50	261	0.26	9.2	10	145	65	1/2"	104	730x460x1060	116	840x540x1340	

M = SINGLE PHASE, Z = GALVANIZED TANK

Reference conditions: air intake temperature 20°C (68°F) – atmospheric pressure 1 bar (14.5 p.s.i.).

Air flow was measured in the following operative pressures: 7.5 bar for models at 8 bar - 9.5 bar for models at 10 bar.

The data and results were measured in accordance with standard ISO 1217.

The sound level was measured in accordance with standard ISO 3744.

### LOW NOISE LEVEL

The new MiniORION models are available with power of 2.2 kW and noise level of only 65 dB(A).

The machine has extremely compact and balanced dimensions, even in the tank-mounted version.



40 dB(A)



62 dB(A)



65 dB(A)



OTHER BRANDS

66-77 dB(A)



100 dB(A)



120 dB(A)